

edesa

DECORATIVE CHIMNEY-STYLE



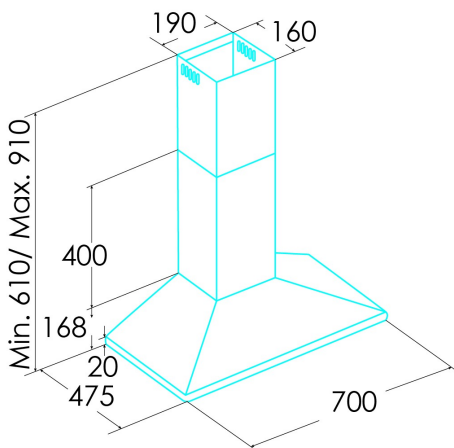
ECP-74110 X

Cod. 932271962

EAN 8422248371353



A



GENERAL INFORMATION

EAN/UPC	8422248371353
Subfamily	Chimney

Product sheet according to directives EU65/2014 - EN61591, EN60704-2-13, EN50564

AEC (Annual energy consumption) (kWh/year)	262
EI class (energy efficiency class)	A
FDE (fluid dynamic efficiency)	284
FDE class (fluid dynamic efficiency class)	A
LE (light efficiency) (lux/W)	67
LE class (light efficiency class)	A
GFE (grease filtering efficiency)	701
GFE class (grease filtering efficiency class)	S
Airflow in normal mode MIN (m3/h)	1743
Airflow in normal mode MAX (m3/h)	4773
Acoustic power in normal mode MIN (dB)	56
Acoustic power in normal mode MAX (dB)	69
Po (energy consumption in off mode) (W)	0

Integration directive EU 66/2014

f (time increase factor)	1
EI (Energy Efficiency Index)	492
QBEP (maximum efficiency at air flow point) (m3/h)	2588
PBEP (maximum efficiency at pressure point) (Pa)	260
WBEP (power consumption at maximum efficiency) (W)	659
WL (nominal power lighting system) (W)	3
EMIDDLE (Average illuminance on the cooking surface) (lux)	200

External Dimensions

Width (mm)	700
Depth (mm)	475
Maximum total height (mm)	910
Minimum total height (mm)	670
Diamètre de sortie (mm)	150

Characteristics

Motor quantity	1
Motor model	K10 450 B
Maximum pressure (Pa)	260
Filter technology	Aluminium mesh
Control technology	Mechanical push button
Booster	-
Power levels	3
Timer	-
Filter saturation indicator	-
Charcoal filter replacement indicator	-
Dimmer function	-
Connectivity	No
Remote control	-
Display	-

Lighting

Light model	CSLED
Ray technology	LED

Installation

Minimum distance to electric plate (mm)	650
Minimum distance to gas plate (mm)	650
Recirculation option	√
Charcoal filter	-
Back draught shutter	No
Inner shield	-

Electric connection

Nominal voltage (V)	220-240
Nominal frequency (Hz)	50
Nominal input power (W)	113

Electric shock protection	Class I
Power cord length (m)	11
Plug type	No plug

Accessories

Upper decorative duct extension	15103039
Activated charcoal filter	'02859489
Noiseless flexible duct	'02893002
