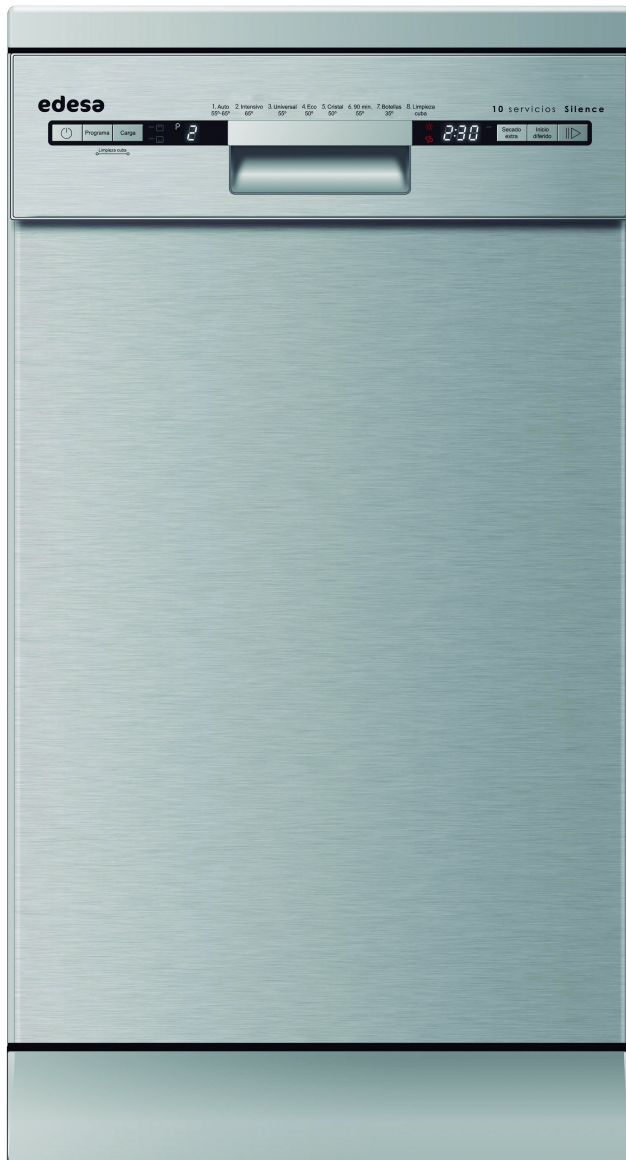


edesa

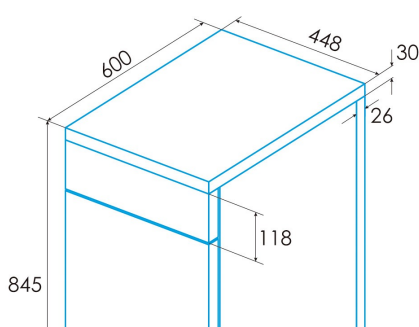
FREE-STANDING DISHWASHERS



EDW-4710 X

Cod. **926270327**

EAN **8422248351331**



GENERAL INFORMATION

EAN/UPC	8422248351331
Subfamily	Freestanding

Power connection

Nominal voltage (V)	220-240
Nominal frequency (Hz)	50
Nominal input power (W)	2100
Power cord length (m)	1,5
Plug type	Type F

Product sheet according to EU Regulation 2019/2022 - 2019/2017

Default placement settings	10
Energy efficiency class	D
Energy consumption in off mode [W]	0,49
Noise level [dBA]	47
Installation type	Free Standing

Control panel

Control type	Soft Touch Buttons
Display	LED
Salt control indicator	√
Rinse aid control indicator	√
Start delay	1-24h
Remaining time indicator	√
Start/Pause	√

Programmes and functions

Number of programmes	8
Programme 1 - Name	Intensive
Programme 1 - Temperature (°C)	65
Programme 1 - Duration (mins.)	205
Programme 2 - Name	Normal
Programme 2 - Temperature (°C)	55
Programme 2 - Duration (mins.)	175
Programme 3 - Name	Eco
Programme 3 - Temperature (°C)	50
Programme 3 - Duration (mins.)	198
Programme 4 - Name	Express 90'
Programme 4 - Temperature (°C)	55
Programme 4 - Duration (mins.)	90
Programme 5 - Name	Glass
Programme 5 - Temperature (°C)	50
Programme 5 - Duration (mins.)	120
Programme 6 - Name	Quick 30'
Programme 6 - Temperature (°C)	35
Programme 6 - Duration (mins.)	20
Programme 7 - Name	Soak
Programme 7 - Duration (mins.)	15
Programme 8 - Name	Automatic
Programme 8 - Temperature (°C)	65
Programme 8 - Duration (mins.)	150

Power and water connection

Nominal voltage (V)	220-240
Nominal frequency (Hz)	50
Nominal input power (W)	2100
Power cord length (m)	1,5
Plug type	Type F
Inlet water hose length (m)	1,5
Drainage water hose length (m)	1,4

Installation

Width (mm)	448
Min. height (mm)	845
Depth (mm)	600
Adjustable height	√

