

edesa

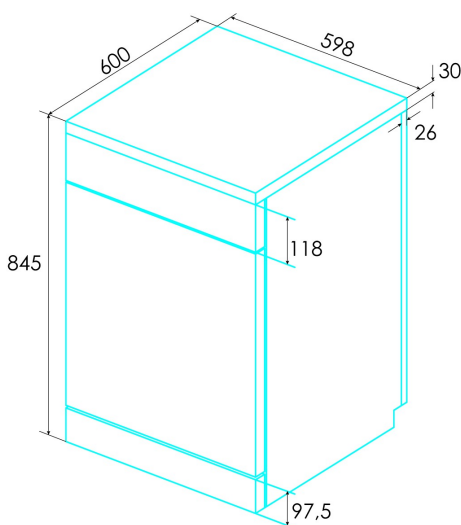
FREE-STANDING DISHWASHERS



EDW-6120 WH

Cod. 926270308

EAN 8422248096768



GENERAL INFORMATION

EAN/UPC	8422248096768
Subfamily	Freestanding

Power connection

Nominal voltage (V)	220-240
Nominal frequency (Hz)	50
Nominal input power (W)	2100
Electric shock protection	Class I
Power cord length (m)	1,5
Plug type	Type F

Product sheet according to EU Regulation 2019/2022 - 2019/2017

Default placement settings	12
Energy efficiency class	E
Energy consumption in off mode [W]	0,49
Noise level [dBA]	52
Installation type	Free Standing

Control panel

Control type	Soft Touch Buttons
Display	No
Salt control indicator	√
Rinse aid control indicator	-
Start delay	3-6-9h
Remaining time indicator	√
Start/Pause	√

Programmes and functions

Number of programmes	4
Programme 1 - Name	Intensive
Programme 1 - Temperature (°C)	65
Programme 1 - Duration (mins.)	205
Programme 2 - Name	Eco
Programme 2 - Temperature (°C)	45
Programme 2 - Duration (mins.)	230
Programme 3 - Name	Express 90'
Programme 3 - Temperature (°C)	60
Programme 3 - Duration (mins.)	90
Programme 4 - Name	Quick 30'
Programme 4 - Temperature (°C)	50
Programme 4 - Duration (mins.)	30
Programme 5 - Name	N/A
Programme 6 - Name	N/A
Programme 7 - Name	N/A
Programme 8 - Name	N/A
Programme 9 - Name	N/A
Programme 10 - Name	N/A
Programme 11 - Name	N/A
Programme 12 - Name	N/A

Power and water connection

Nominal voltage (V)	220-240
Nominal frequency (Hz)	50
Nominal input power (W)	2100
Electric shock protection	Class I
Power cord length (m)	1,5
Plug type	Type F
Inlet water hose length (m)	1500
Drainage water hose length (m)	1400

Installation

Width (mm)	598
Min. height (mm)	845
Max. height (mm)	845
Depth (mm)	600
Adjustable height	√
Sliding door	-

