

edesa

MICROWAVES



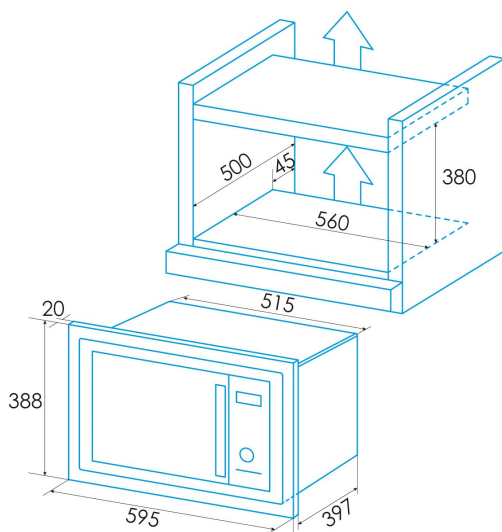
EMW-2510-IG X

Cod. 929270360

EAN 8422248083911



25 L



GENERAL INFORMATION

EAN/UPC	8422248083911
Subfamily	Built-in

Dimensions

Cavity height [mm]	197
Cavity width [mm]	333
Cavity depth [mm]	355
Cavity capacity [L]	25
Cavity type	Stainless steel
Width (mm)	594
Height (mm)	388
Depth (mm)	410
Built-in width (mm)	560
Inner height (mm)	380
Built-in depth (mm)	500

Characteristics

Installation type	Built_in
Door opening system	Push button
Inside the light	√

Control

Control type	Electronic display
Display	LCD
Display colour	RED
Timer	Electronic
Maximum timer setting [mins.]	95
Start/Stop button	√
Power selector	√
Function selector	√
Temperature selector	√
Weight selector	√
Number of functions	9
Functions	Defrosting;Heating and cooking by food type;Quick start;Grill;Simultaneous grill + microwave

Safety

Safety thermostat	√
Automatic safety disconnection	√
Child lock	√
Number of glasses in the door	1

Power connection

Grill power [kW]	1
Microwave power [W]	900
Nominal power [W]	1250
Voltage [V]	230
Frequency [Hz]	50
Plug type	Type F

Accessories

Built in frame	Integrated with frame
Ventilation kit	-
Removable rotatory glass	√
Diameter of the glass dish [mm]	315